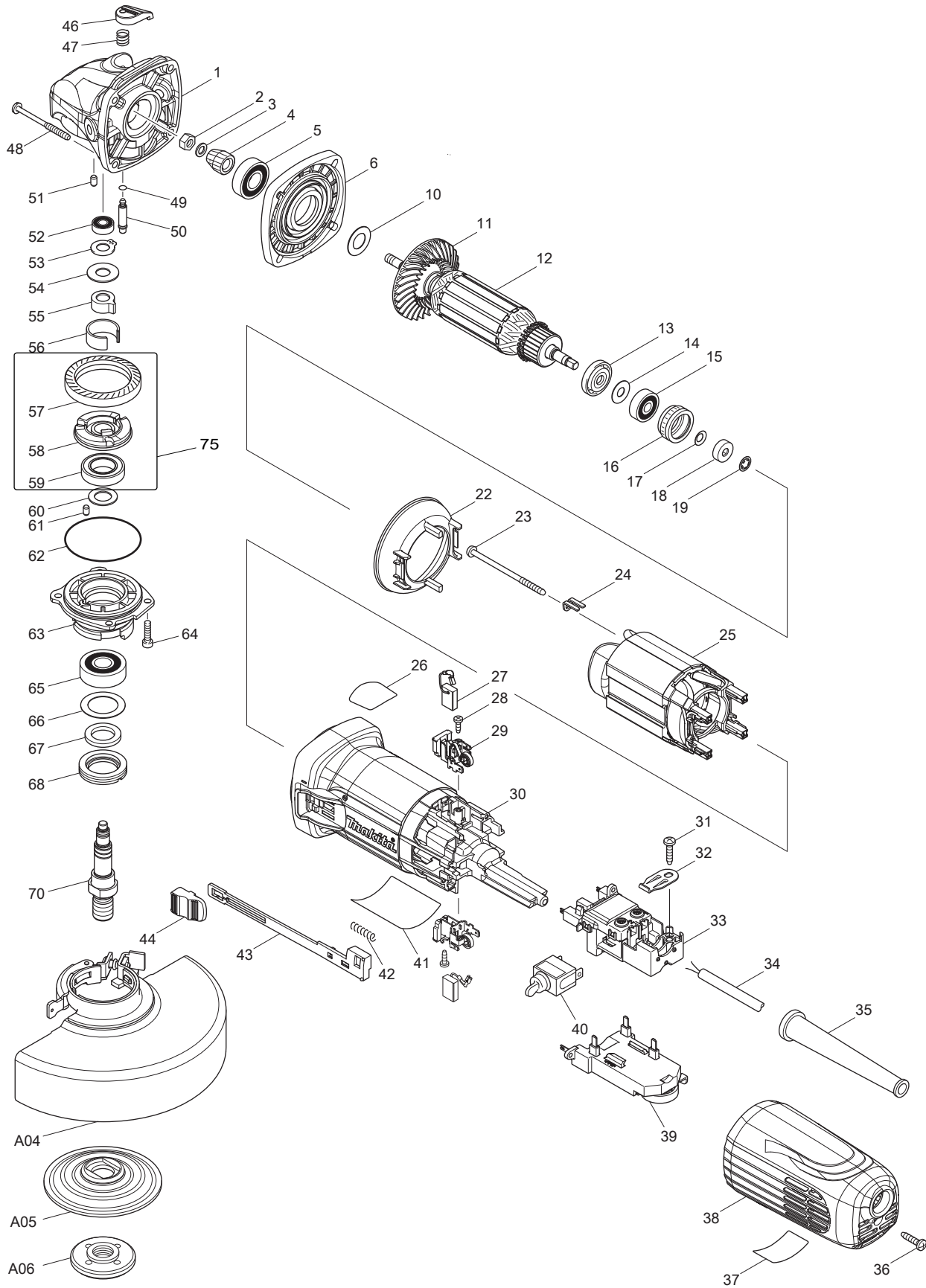




06 - 2013  
GA6042C01  
6" ANGLE GRINDER



## PARTS LIST

Item No	Type	Part No	Description	Qty	Unit
001	2	319310-7	GEAR HOUSING	1	PC.
001	3	136013-6	GEAR HOUSING	1	PC.
001	3	INC.	Item No. 46,47,49-51	1	PC.
002		252186-8	HEX. NUT M6	1	PC.
003		253077-6	FLAT WASHER 6	1	PC.
004		227593-4	SPIRAL BEVEL GEAR 9	1	PC.
005		211142-7	BALL BEARING 6001LLB	1	PC.
006	2	141981-0	GEAR HOUSING COVER COM.	1	PC.
010		253084-9	FLAT WASHER 12	1	PC.
011		240134-9	FAN 60	1	PC.
012	3	510509-9	* ARMATURE ASS'Y 115V	1	PC.
012	3	INC.	* Item No. 11, 13-19		
012	4	510566-7	* ARMATURE ASS'Y 115V	1	PC.
012	4	INC.	* Item No. 11, 13-19		
013		681656-4	INSULATION WASHER	1	PC.
014		253823-7	FLAT WASHER 7	1	PC.
015	1	210027-4	* BALL BEARING 627DDW	1	PC.
015	2	210295-9	* BALL BEARING 627DDW	1	PC.
016	1	421738-8	LABYRINTH RUBBER RING 22	1	PC.
016	2	422750-1	LABYRINTH RUBBER RING 22	1	PC.
017		267756-0	WAVE WASHER 6	1	PC.
018		688117-5	MAGNET SLEEVE	1	PC.
019		259039-2	SELF LOCK 6	1	PC.
022		453367-9	BUFFLE PLATE	1	PC.
023		266258-3	TAPPING SCREW 4X70	2	PC.
024		344871-8	RETAINER	2	PC.
025		626651-7	FIELD 115V	1	PC.
026		898443-6	SJS2 MARK LABEL EN - Removed	1	PC.
027	2	196454-8	A.C. CARBON BRUSH CB-340 2PC/SET W/ORIGIN	1	SET
028		266007-8	TAPPING SCREW BIND PT 3X10	2	PC.
029	2	643770-4	BRUSH HOLDER	2	PC.
030		453366-1	MOTOR HOUSING	1	PC.
031	2	265A48-7	TAPPING SCREW 4X18	1	PC.
032		687169-3	STRAIN RELIEF	1	PC.
033	2	632K99-9	SWITCH BLOCK	1	PC.
034		664265-4	CORD W/PLUG 2P-16-2.5M, SJ	1	PC.
035		682566-8	CORD GUARD 10	1	PC.
036	2	265A48-7	TAPPING SCREW 4X18	1	PC.

Item No	Type	Part No	Description	Qty	Unit
037	2	817M63-5	INDICATION LABEL	1	PC.
038	2	1410U2-5	REAR COVER C COMPLETE	1	PC.
038	2	INC. 8081R5-4	CAUTION LABEL	1	PC.
039	1	620131-5	CONTROLLER	1	PC.
039	2	620738-7	CONTROLLER	1	PC.
040		651418-4	SWITCH ST115A-40, SINGLE	1	PC.
041		897095-0	NAME PLATE F/GA6042C	1	PC.
042		233071-4	COMPRESSION SPRING 4	1	PC.
043		453847-5	SWITCH LEVER	1	PC.
044		453368-7	SWITCH KNOB	1	PC.
046		453369-5	PIN CAP	1	PC.
047		234057-1	COMPRESSION SPRING 8	1	PC.
048		265B70-0	TAPPING SCREW 4X30	4	PC.
049	2	213960-9	O RING 5	1	PC.
050		256535-1	SHOULDER PIN 6	1	PC.
051		263002-9	RUBBER PIN 4	1	PC.
052		210006-2	BALL BEARING 696ZZ	1	PC.
053		961005-4	RETAINING RING S-9	1	PC.
054		253180-3	FLAT WASHER 10	1	PC.
055	3	310683-1	JOINT SLEEVE	1	PC.
056		346556-2	C TYPE PLATE	1	PC.
057		227594-2	SPIRAL BEVEL GEAR 41	1	PC.
058		313228-4	COUPLING	1	PC.
059		210302-8	BALL BEARING 6903ZZ	1	PC.
060		253744-3	FLAT WASHER 12	1	PC.
061		263002-9	RUBBER PIN 4	1	PC.
062		213641-5	O RING 51	1	PC.
063	2	136012-8	BEARING BOX ASSY	1	PC.
063	2	INC.	Item No. 61, 62	1	PC.
064		265490-6	HEX. SOCKET HEAD BOLT M4X16	4	PC.
065		211129-9	BALL BEARING 6201DDW	1	PC.
066		267279-8	FLAT WASHER 21	1	PC.
067		443124-3	FELT RING 17	1	PC.
068		285854-8	BEARING RETAINER 20-33	1	PC.
070		326131-0	SPINDLE A	1	PC.
075		135556-5	COUPLING ASS'Y	1	PC.
075		INC.	Item. 57-59		
076		892272-9	CLEAR LABEL (added)	1	PC.
100		265083-9	+ FLAT HEAD SCREW M8X11 (F/HEAD COVER)	1	PC.

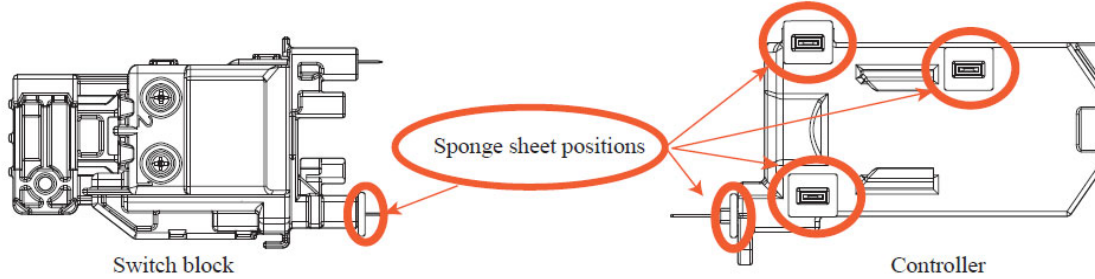
Item No	Type	Part No	Description	Qty	Unit
101		453378-4	HEAD COVER	1	PC.
A01	2	194514-0	VIBRATION PROOF GRIP F/4" - 6", PKG	1	PC.
A02	2	782424-9	LOCK NUT WRENCH 28	1	PC.
A03	1	A-80846	6" D.C.W. GRIT 36	1	PC.
A03	2	A-95978-25	6" D.C.G.W WA36N 25/PK	1	PC.
A04		123146-6	6" TOOLESS WHEEL COVER ASSY	1	PC.
A04	INC.	265180-1	PAN HEAD SCREW M5X16	1	PC.
A05	1	224361-6	INNER FLANGE 82	1	PC.
A05	2	224602-0	INNER FLANGE 82	1	PC.
A05	Opt.	224390-9	INNER FLANGE 48 (FOR CUT-OFF)	1	PC.
A06		224568-4	LOCK NUT 5/8-45	1	PC.
A06	Opt.	224574-9	LOCK NUT 5/8-48 (FOR CUT-OFF)	1	PC.
A07		122912-8	6" CUT-OFF WHEEL GUARD	1	PC.
A07	INC.	213009-5	O RING 4	1	PC.
A07	INC.	265180-1	PAN HEAD SCREW M5X16	1	PC.
A08	1	195935-9	DUST COVER ATTACHMENT SET	1	PC.
A08	2	198719-4	DUST COVER ATTACHMENT SET	1	PC.
A09		193048-0	SANDING LOCK NUT 5/8-48	1	PC.
A10		743016-9	RUBBER PAD 125 F/6"	1	PC.
C01		873102-3	CARTON F/GA6042C01	1	PC.

## SERVICE CHANGES:GA6042C01

### 1. Addition of Sponge sheet

(TI#B7825)

Item No.	Description	Type 1	Type 2
33	SWITCH BLOCK	638948-2	632K99-9
39	CONTROLLER	620131-5	620738-7



### 2. Change of Ball Bearing 627DDW and Armature Assy

(TI#Y08820)

(TI#D9053)

(TI#DL244)

Item No.	Description	Type 1	Type 2	Type 3	Type 4
15	BALL BEARING 627DDW		210027-4		210295-9
12	ARMATURE ASSEMBLY	515371-7	510376-2	510509-9	510566-7